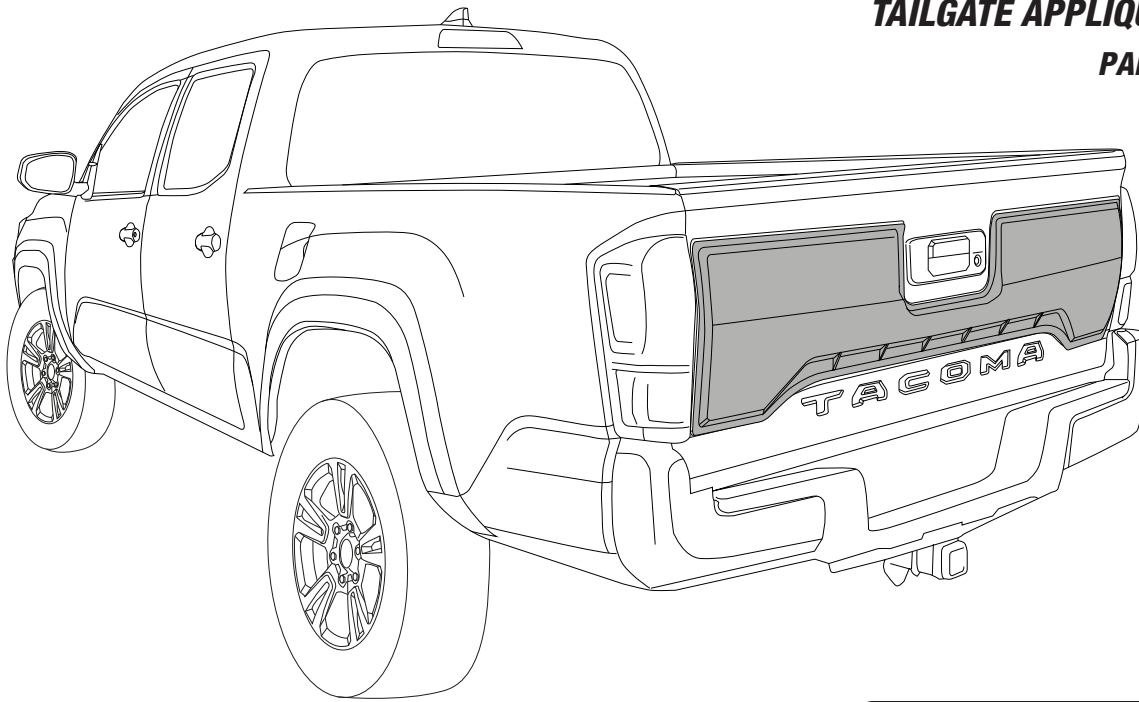


INSTALLATION MANUAL

TAILGATE APPLIQUE TACOMA 2016

PART #: TO02A20SB



**WASH BEFORE
INSTALLING**



**READ CAREFULLY
BEFORE INSTALLATION**



**WE RECOMMEND
2 PERSONS FOR
INSTALLATION**

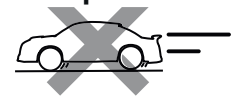
AFTER INSTALLING

**DO NOT
WASH CAR**




24 hrs

**DRIVE SLOWLY
25 mph max**






TOOLS



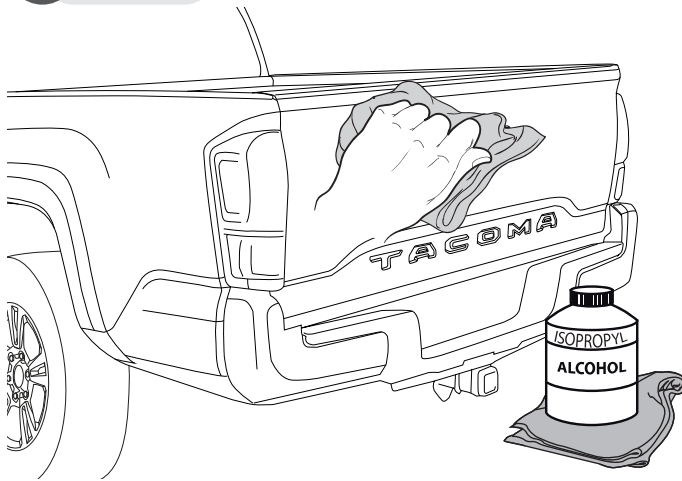
CHECK LIST

**Already installed in the part*

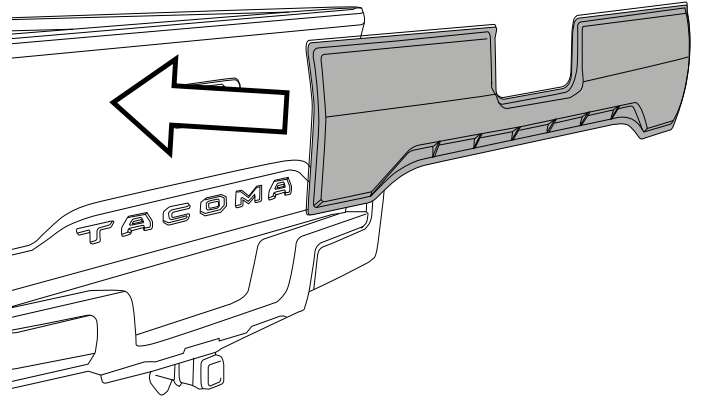
ITEM	DESCRIPTION	DRAWING	AMOUNT
A	*VHB TAPE		N/A
B	GREASE PENCIL		1 pc
C	ADHESION PROMOTER		1 pc

INSTALLATION MANUAL

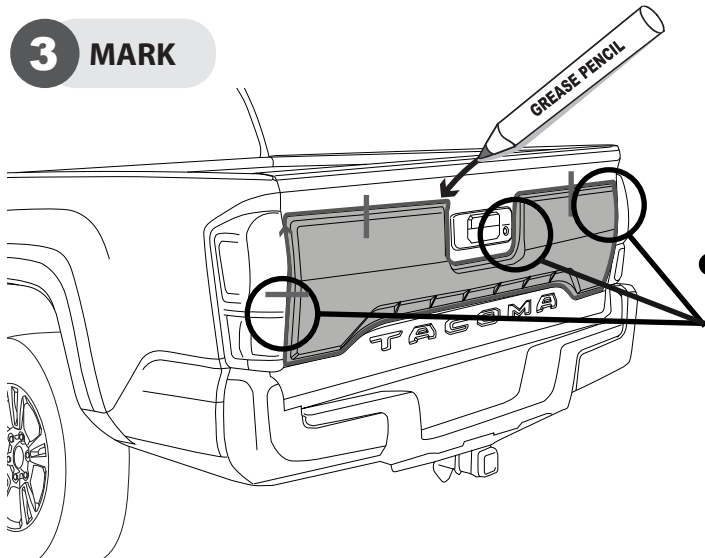
1 CLEAN



2 PRE-MOUNT

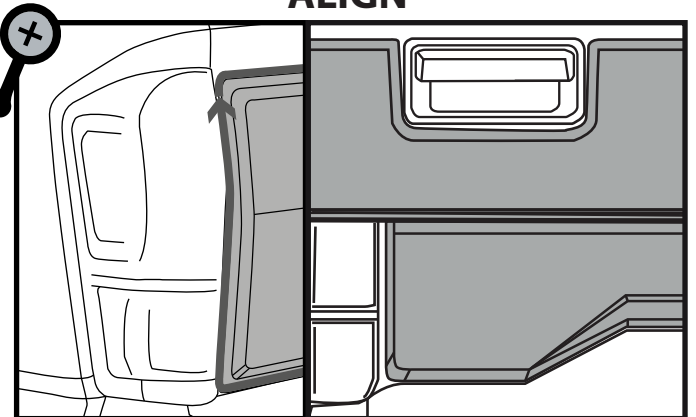


3 MARK

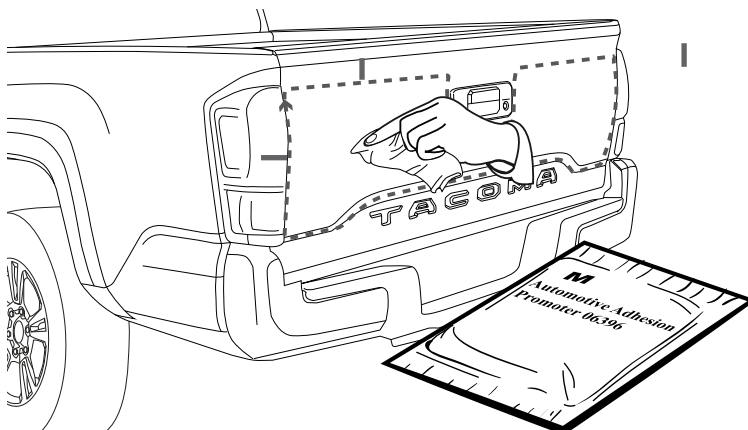


DRAW CENTER HASH MARK WITH GREASE PENCIL ON APPLIQUE AND SHEET METAL, THIS WILL ENSURE APPLIQUE WILL BE CENTERED TO GREASE PENCIL OUTLINE.

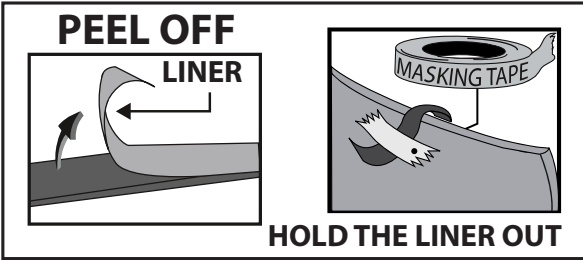
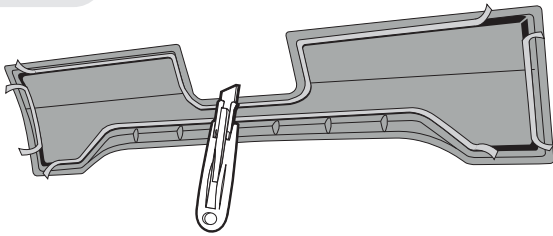
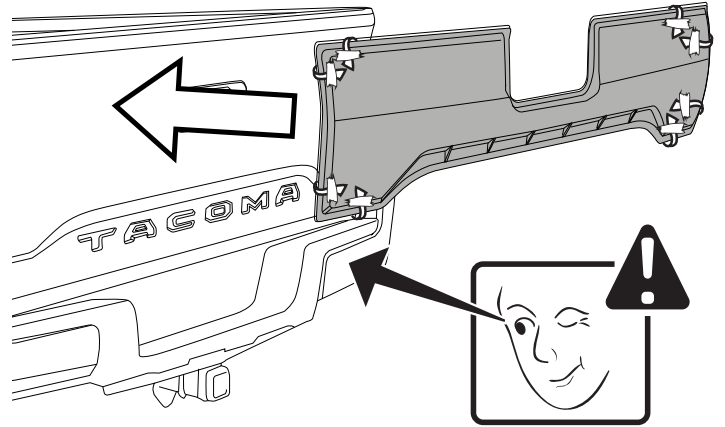
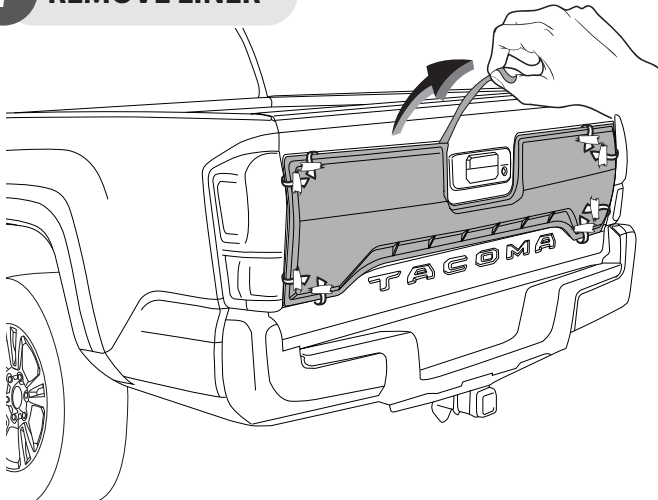
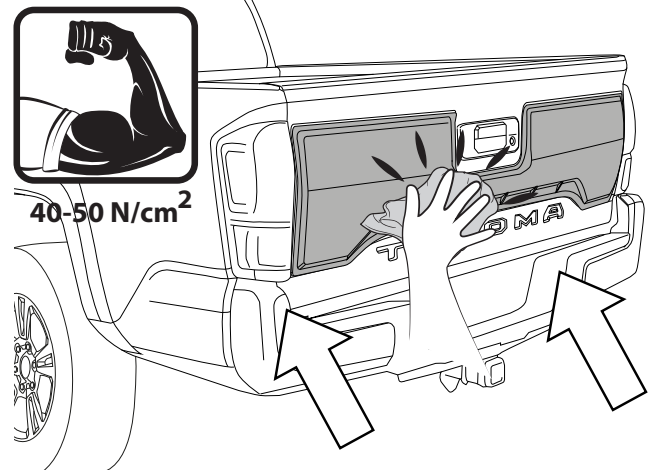
ALIGN



4 ADHESION PROMOTER



! A full surface contact between tape and substrate is decisive for good adhesion performance. Contact is achieved by applying pressure. In practice a pressure between 40 and 50 N/cm² is usually needed and an application temperature between 25 and 45 °C or 77 and 113 °F is also necessary. During application, add-on parts and tapes must have the similar temperature.

INSTALLATION MANUAL
5 PEEL

6 PLACE

7 REMOVE LINER

8 PRESS FIRMLY

INSTALLED PART
9 REMOVE LINER
